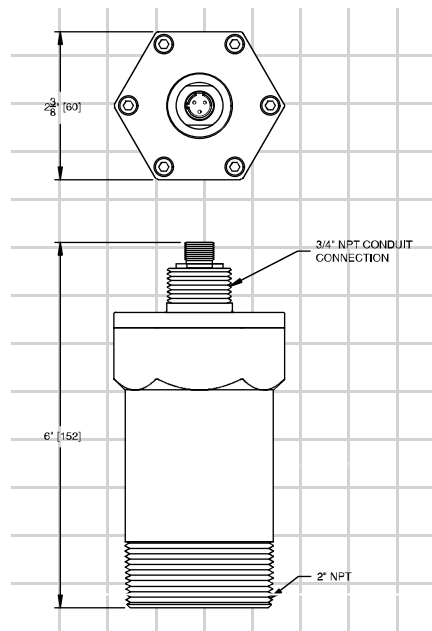


## 3 GPH Catastrophic Line Leak Detector for Use with TMS2000, TMS3000 and TMS4000 Series Tank Management Systems



### Product Description

The LLP203 is an EPA-compliant line leak detector intended for use with pressurized liquid piping systems, and is ideal for Critical Power applications where 3 GPH(11 LPH) catastrophic line leak detection with audible and visual alarms is required, but pump shutdown is not desired. In keeping with our philosophy of continuing support for all TMS platforms, the LLP203 is designed to be compatible with all TMS2000, TMS3000 and TMS4000 Tank Management Systems using Pneumercator's standard, universal leak sensor inputs, which means LLP203 sensor capacity is only limited by the number of available inputs to a maximum of 16. Additionally, any TMS built after 2003 can support the LLP203 with a simple firmware upgrade. Standard sensor construction uses 316SS for all wetted sensing components and an external aluminum housing, but is optionally available in all 316SS, making it suitable for practically all fuels and additives. An alternate version constructed of all Hastelloy C-276 wetted components is available for most chemical applications.

### Features

- Simple, two-wire interface, 2" NPTM pressure connection
- Suitable for all diesel fuels, biodiesels, gasolines, ethanol blends and aviation fuels
- 316SS or Hastelloy C-276 versions suitable for most chemical applications
- Programmable for audible/visual alarm only, or audible/visual alarm with pump shutdown.
- Programmable for two modes of leak detection, test after pump shutdown or, hourly and test after pump shutdown.

### Specifications

- Electrical Connection: 3-Conductor Cable(two wires used), 3-Pin Quick Disconnect, 3/4" NPT Male Conduit Connection
- Pressure Connection: 2" NPT Male
- Dimensions (H x W): 6" x 2.6"(152 mm x 66 mm)
- Operating Temp: -40 °F to 194 °F (-40 °C to 90 °C)
- Pressure Rating: 150 PSI (1033 kPa)
- Overpressure: 200 PSI (1379 kPa)
- Burst Pressure: 500 PSI (3447 kPa)
- Weight: Aluminum Housing, 316SS Sensor Body: 2.25 lbs (1 kg), All 316SS or Hastelloy C-276 3.75 lbs(1.7 kg)

### Certifications/Approvals

- UL/cUL Approved, File #E139464-6
  - Third-Party Approved
- 3.0 GPH (11 LPH): Pd = 100.0%, Pfa = 0%

LLP203 Piping Volume Limits Table									
Charge Pressure[psi]	Bulk Modulus[psi]								
	2000	5000	10000	20000	30000	40000	50000	60000	70000
4	1015	1179	1179	1179	1179	1179	1179	1179	1179
5	707	1179	1179	1179	1179	1179	1179	1179	1179
10	467	1167	1179	1179	1179	1179	1179	1179	1179
15	292	729	1179	1179	1179	1179	1179	1179	1179
20	233	584	1167	1179	1179	1179	1179	1179	1179
25	156	389	778	1179	1179	1179	1179	1179	1179
30	117	292	584	1167	1179	1179	1179	1179	1179
35	93	233	467	934	1179	1179	1179	1179	1179
40	78	195	389	778	1167	1179	1179	1179	1179
45	67	167	333	667	1000	1179	1179	1179	1179
50	58	146	292	584	875	1167	1179	1179	1179
55	52	130	259	519	778	1037	1179	1179	1179
60	47	117	233	467	700	934	1167	1179	1179
65	42	106	212	424	637	849	1061	1179	1179
70	39	97	195	389	584	778	973	1167	1179
75	36	90	180	359	539	718	898	1077	1179
80	33	83	167	333	500	667	834	1000	1167
85	31	78	156	311	467	622	778	934	1089
90	29	73	146	292	438	584	729	875	1021
95	27	69	137	275	412	549	686	824	961
100	26	65	130	259	389	519	648	778	908
105	25	61	123	246	369	491	614	737	860
110	23	58	117	233	350	467	584	700	817
115	22	56	111	222	333	445	556	667	778
120	21	53	106	212	318	424	530	637	743
125	20	51	101	203	304	406	507	609	710
130	19	49	97	195	292	389	486	584	681
135	19	47	93	187	280	373	467	560	654
140	18	45	90	180	269	359	449	539	628
145	17	43	86	173	259	346	432	519	605
150	17	42	83	167	250	333	417	500	584

### Ordering

- LLP203-1-[\*] Aluminum for external housing, all 316SS wetted sensor components
- LLP203-2-[\*] 316SS for external housing and all wetted sensor components
- LLP203-3-[\*] Hastelloy C-276 for external housing and all wetted sensor components

\* Charge Pressure

Note: Specifications subject to change w/o notice. 07-14-2022



Pneumercator Company, Inc.  
1785 Expressway Drive North  
Hauppauge, New York 11788

Tel: 631-293-8450  
Fax: 631-293-8533

<http://www.pneumercator.com>