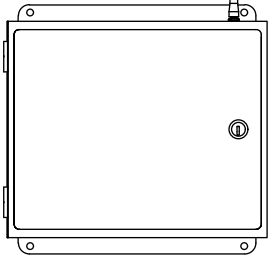


WIRING DRAWING - HS100NDL

SYSTEM OVERVIEW AND WIDAM WIRING DETAIL - (See Page 2 for PROGRAMMING)

TMS2000W
TMS4000W
(Wireless)

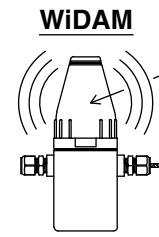
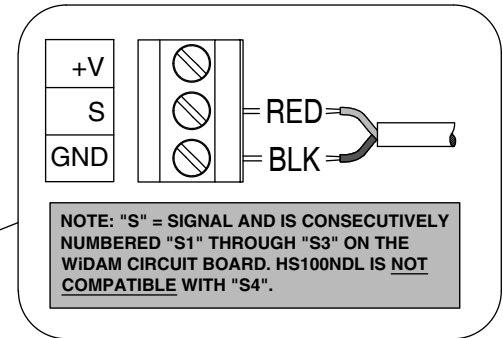


SEE WIRING
DRAWING 50443

NON-HAZARDOUS AREA

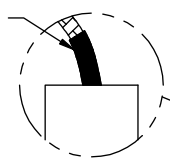
HAZARDOUS AREA

CLASS I, DIVISION 1, GROUPS C AND D
CLASS I, ZONE 0, GROUP IIB

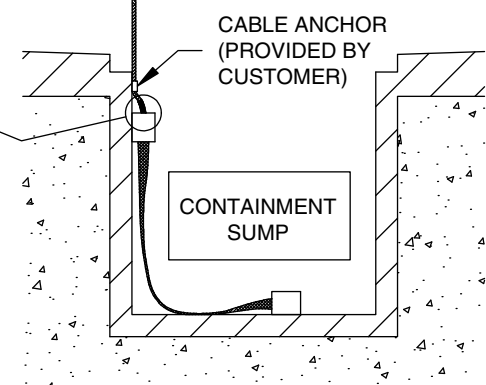


SEE WIRING DRAWING 50440 IF JUNCTION BOX IS REQUIRED

RED HEAT SHRINK TUBING INSTALLED ON HS100NDL SENSORS



NOTE: HS100NDL SERIES SENSORS ARE NOT COMPATIBLE WITH WIRED CONSOLES LC2000, TMS2000, TMS3000 AND TMS4000. REFER TO THE HS100ND SERIES.



Questions? Contact Technical Support at (800) 209-7858

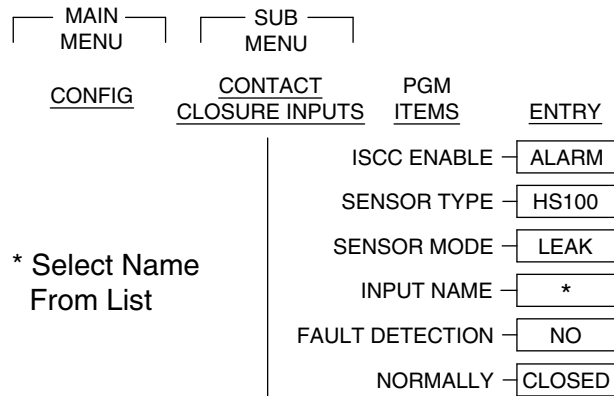


T:150XXX150522.dwg, A(1), 2/9/2018 11:05:05 AM, 1:1, © COPYRIGHT 2018 PNEUMERCATOR COMPANY, INC.

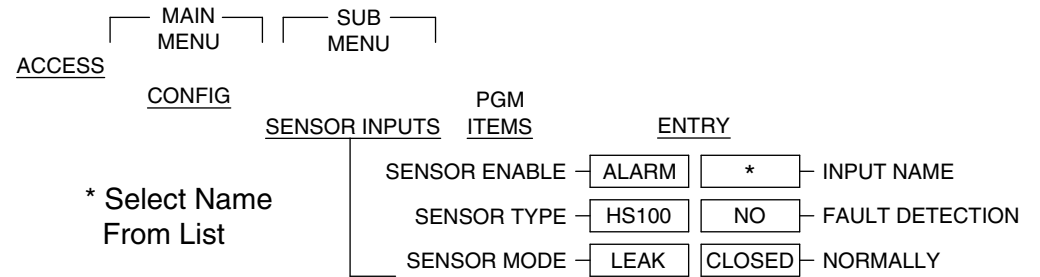
WIRING DRAWING - HS100NDL

PROGRAMMING AND JUNCTION BOX WIRING DETAIL - (See Page 1 for CONSOLE WIRING)

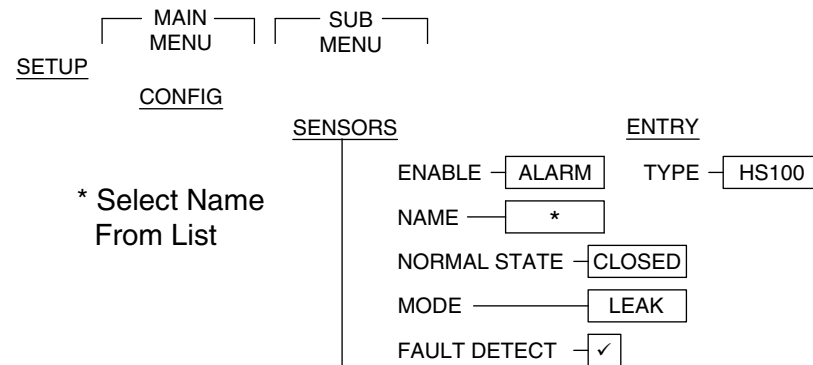
TMSCOMM SOFTWARE PROGRAMMING



TMS2000W SERIES FRONT PANEL PROGRAMMING



TMS4000W SERIES FRONT PANEL PROGRAMMING



NOTE: HS100NDL SERIES SENSORS ARE NOT COMPATIBLE WITH WIRED CONSOLES LC2000, TMS2000, TMS3000 AND TMS4000. REFER TO THE HS100ND SERIES.

Questions? Contact Technical Support at (800) 209-7858