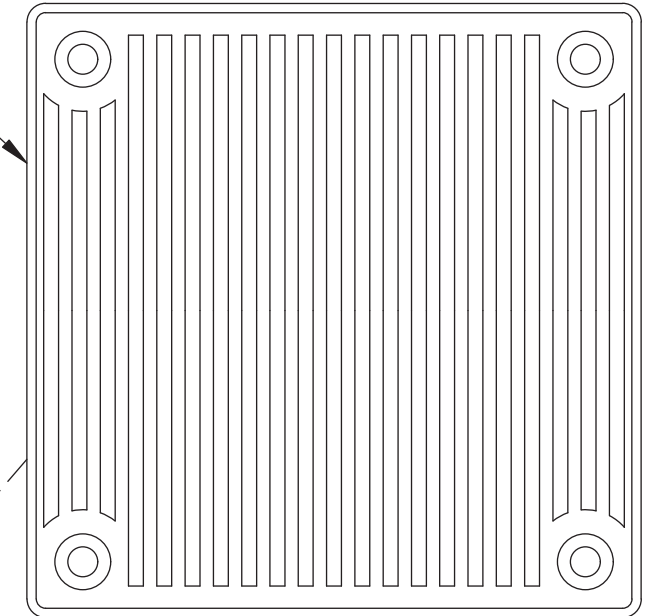
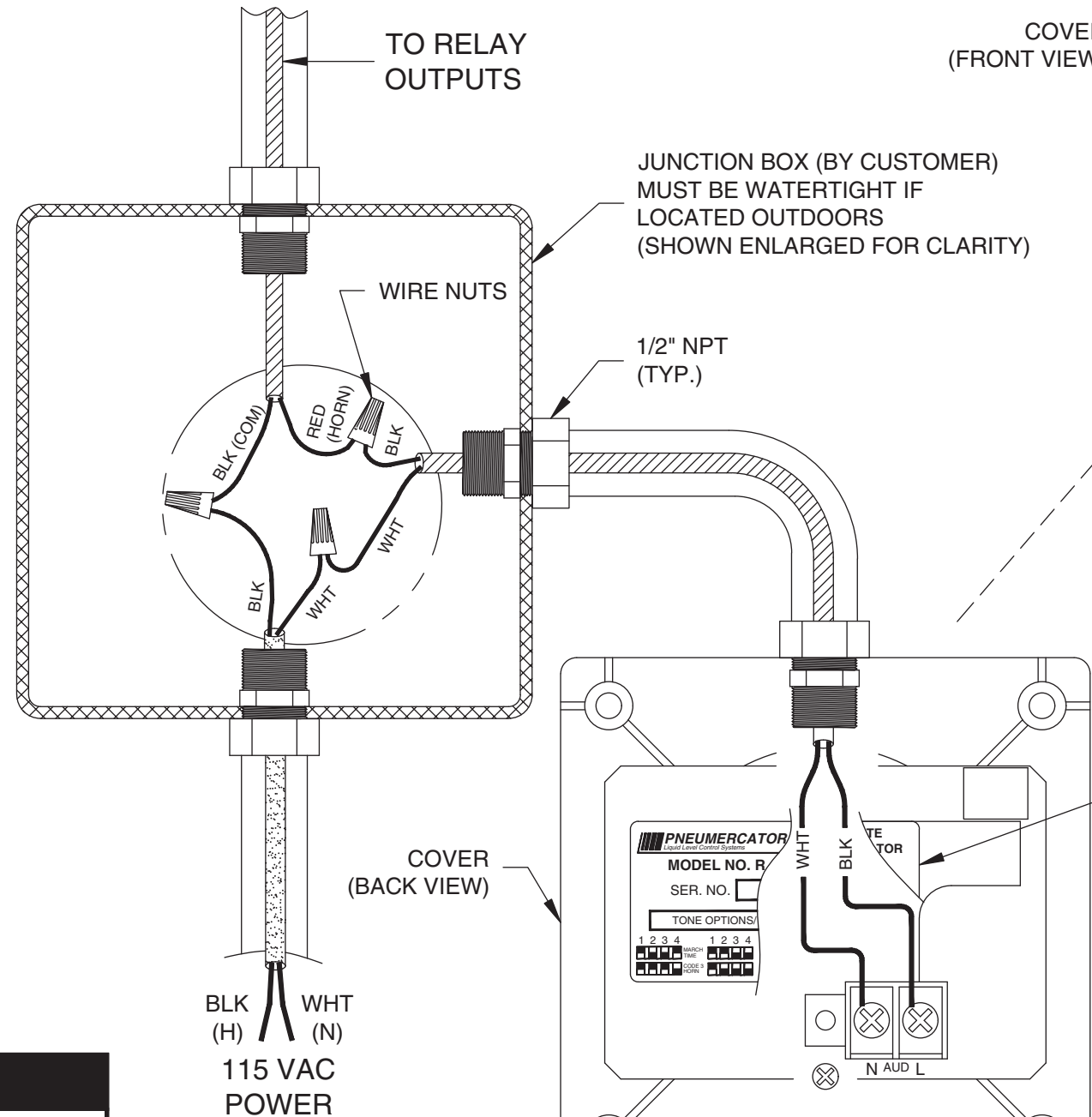
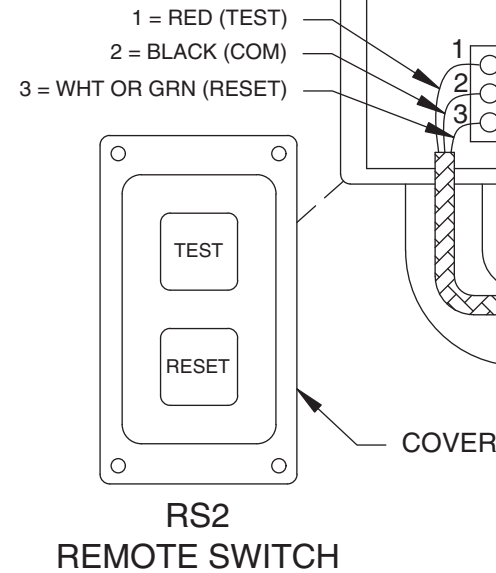
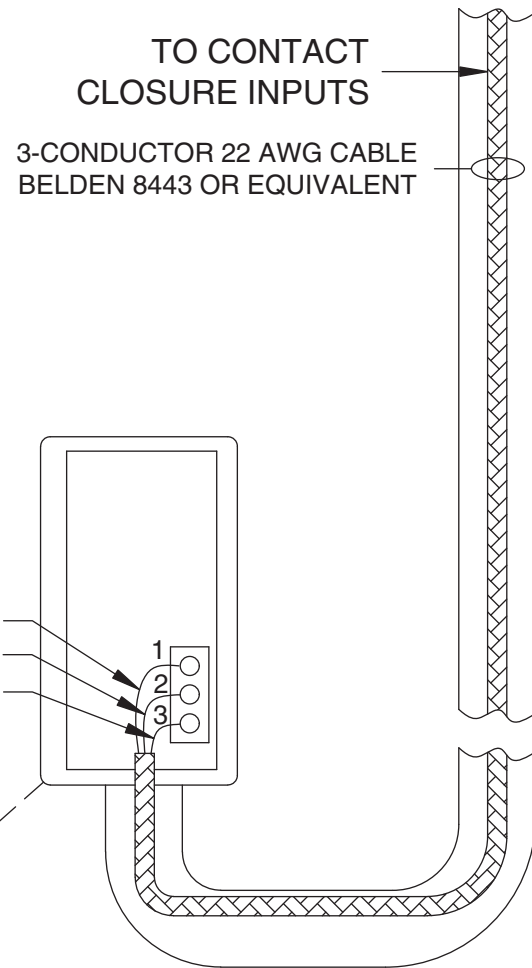


# WIRING DRAWING - RA100NS TO LC2000 & TMS SERIES

\* RA100NS REMOTE AUDIBLE ANNUNCIATOR

TO LC2000/TMS  
(SEE PAGE 3)

TO LC2000/TMS  
(SEE PAGE 2)



\* INSTALL SO THAT THE DRIP HOLES ARE LOCATED ON THE BOTTOM (SEE OUTLINE DRAWING 10505). IF NOT SUPPLIED, DRAWING MAY BE DOWNLOADED FROM [www.pneumercator.com](http://www.pneumercator.com)

**PNEUMERCATOR**  
*Liquid Level Control Systems*

**REMOTE ANNUNCIATOR**  
**MODEL NO. RA100NS-115VAC**  
SER. NO.

TONE OPTIONS/SW1 SWITCH POSITIONS

1 2 3 4	1 2 3 4	1 2 3 4	1 2 3 4
<input type="checkbox"/> <input type="checkbox"/> <input type="checkbox"/> <input type="checkbox"/>	<input type="checkbox"/> <input type="checkbox"/> <input type="checkbox"/> <input type="checkbox"/>	<input type="checkbox"/> <input type="checkbox"/> <input type="checkbox"/> <input type="checkbox"/>	<input type="checkbox"/> <input type="checkbox"/> <input type="checkbox"/> <input type="checkbox"/>
MARCH TIME	SIREN	HORN	CODE 3 TONE
<input type="checkbox"/> <input type="checkbox"/> <input type="checkbox"/> <input type="checkbox"/>	<input type="checkbox"/> <input type="checkbox"/> <input type="checkbox"/> <input type="checkbox"/>	<input type="checkbox"/> <input type="checkbox"/> <input type="checkbox"/> <input type="checkbox"/>	<input type="checkbox"/> <input type="checkbox"/> <input type="checkbox"/> <input type="checkbox"/>
CODE 3 HORN	HILLO	BELL	SLOW WOOP

		COND. COLOR	FUNCTION
<b>3 COND. CABLE</b>	 (SEE PAGES 1 & 3)	RED	TEST
		BLACK W OR G	SWITCH COMMON RESET
		RED BLACK	HORN
<b>2 COND. CABLE</b>	 (SEE PAGES 1 & 2)	RED BLACK	HORN

\*W\* = WHITE; \*G\* = GREEN

**⚠ WARNING**

- DO NOT USE THE TMS POWER AS THE SOURCE FOR POWERING THE RA100NS.
- THIS SYSTEM IS NOT INTRINSICALLY SAFE OR EXPLOSION PROOF. DO NOT INSTALL INSIDE THE HAZARDOUS AREA.



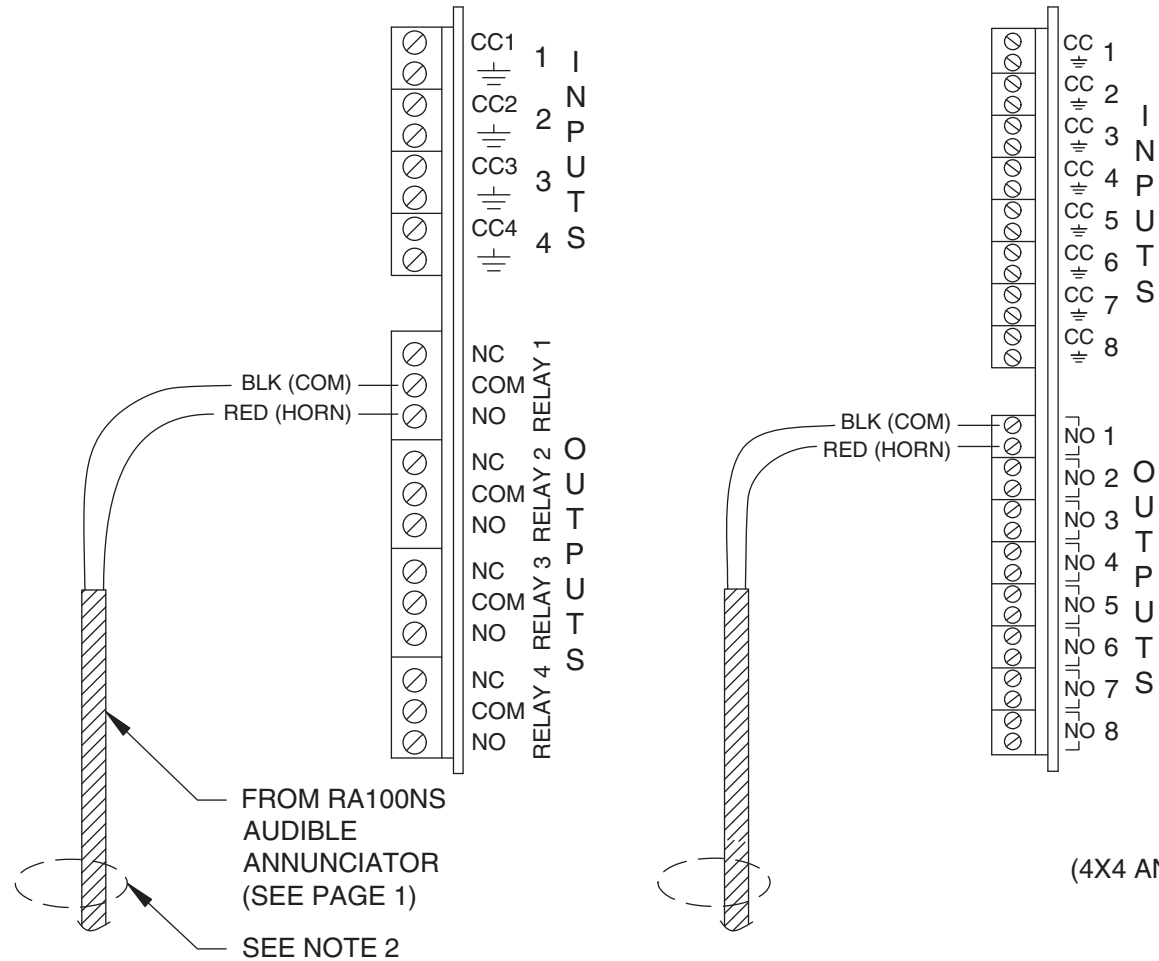
Questions? Contact Technical Support at (800) 209-7858

# WIRING DRAWING - RA100NS TO LC2000 & TMS SERIES

## TMS3000/TMS4000

WIRING TERMINATION EXAMPLES SHOWN FOR REFERENCE  
(SEE NOTES)

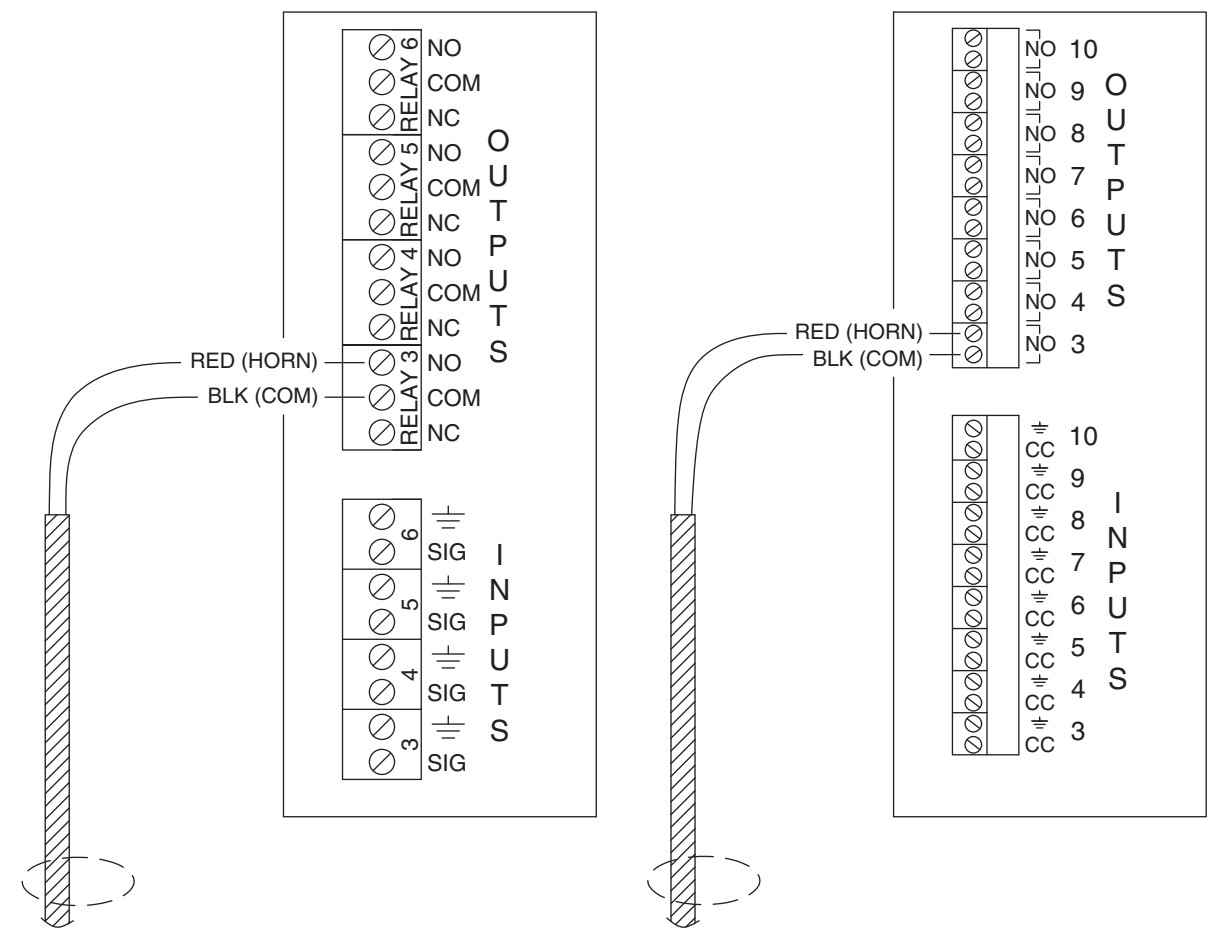
4X4 RELAY I/O CARD — OR — 8X8 RELAY I/O CARD



## LC2000/TMS2000/TMS4000M

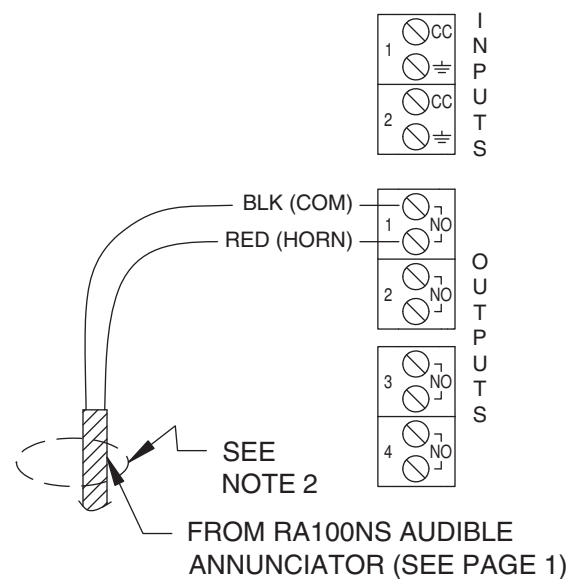
WIRING TERMINATION EXAMPLES SHOWN FOR REFERENCE  
(SEE NOTES)

MAIN BD. RELAY I/Os — OR — \*4X4 (10A) RELAY I/O CARD — OR — \*8X8 RELAY I/O CARD



\* 4X4 (5A) RELAY I/O CARD

## TMS1000 (4X4 AND 8X8 RELAY CARDS ARE NOT SUPPORTED) MAIN BD. RELAY I/Os



**NOTES:**

1. WIRING MAY BE TERMINATED ON ANY TMS RELAY INPUT/OUTPUT. HOWEVER, IF REQUESTED WITH ORDER, WIRING MUST BE TERMINATED ON THE SPECIFIED PRE-PROGRAMMED INPUTS/OUTPUTS (I/Os). REMINDER: PROGRAMMING STARTS WITH THE BUILT-IN MAIN BOARD RELAY I/Os FOR LC2000, TMS2000 AND TMS4000M. THE TMS4000M MAIN BOARD RELAY I/Os LAYOUT IS NOT SHOWN BUT IS THE SAME OR SIMILAR 2X2 I/Os AND TERMINAL BLOCK MARKINGS/NAMES AS SHOWN ABOVE.
2. LC2000/TMS1000/TMS2000 COMMS AND TMS3000/TMS4000 COMMS OR 2ND NON I.S. CONDUITS MUST BE USED FOR RS2 LOW VOLTAGE WIRING. IF DESIGNATED CONDUITS ARE UNAVAILABLE TO SEPARATE HIGH AND LOW VOLTAGE WIRING, USE THE PREFERRED RA200 REMOTE ALARM SYSTEM FOR LC2000/TMS SERIES PER DRAWING 50214. DO NOT MODIFY LC2000/TMS ENCLOSURE.

\* 4X4 (5A) RELAY I/O CARD (TMS4000M ONLY) SAME LAYOUT AS 8X8 CARD EXCEPT THE NUMBER OF INPUTS/OUTPUTS. THE TMS4000M DOES NOT SUPPORT 4X4 (10A) AND 8X8 RELAY I/O CARDS

		COND. COLOR	FUNCTION
3 COND. CABLE (SEE PAGES 1 & 3)		RED	TEST
		BLACK	SWITCH COMMON
		W O R G	RESET
2 COND. CABLE (SEE PAGES 1 & 2)		RED	HORN
		BLACK	

"W" = WHITE; "G" = GREEN

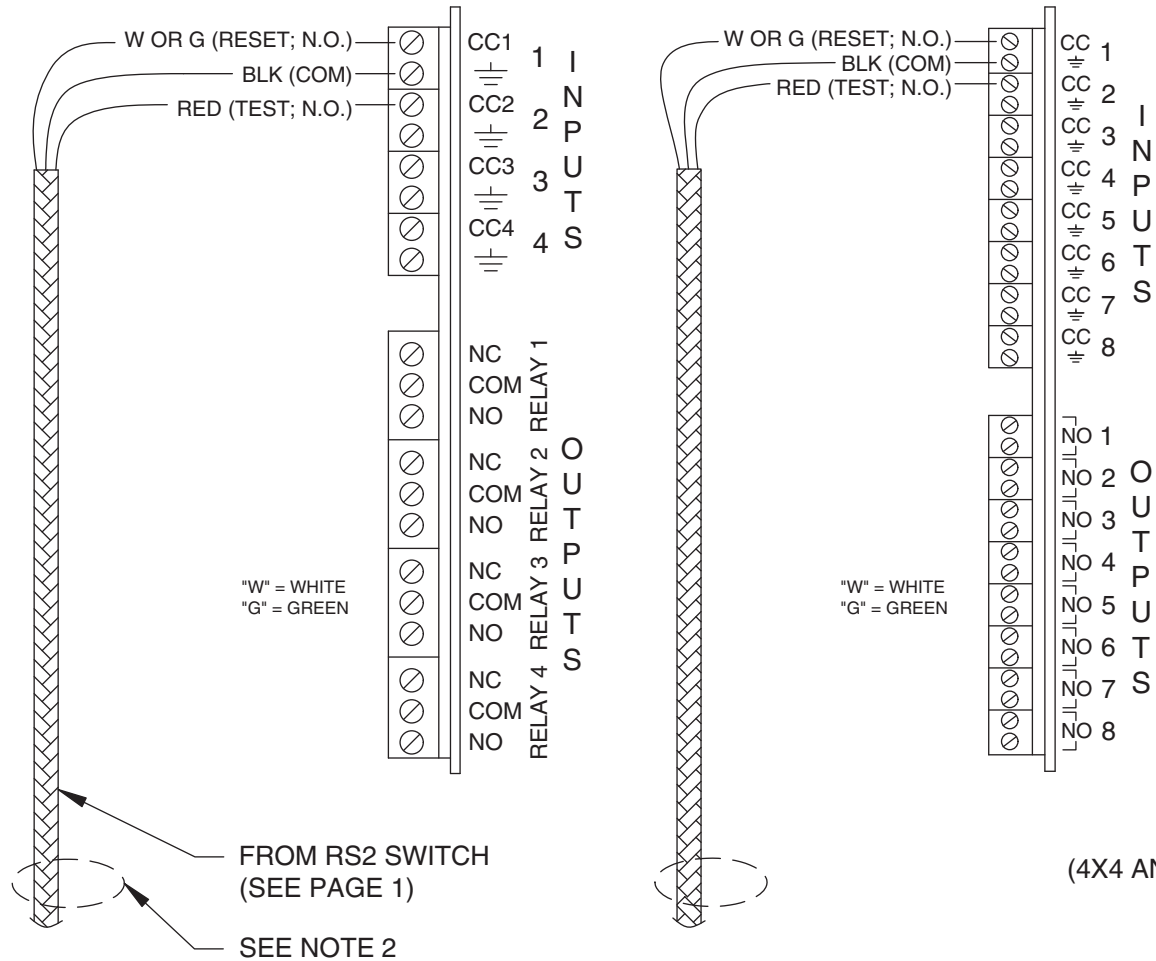
**Questions? Contact Technical Support at (800) 209-7858**

# WIRING DRAWING - RA100NS TO LC2000 & TMS SERIES

## TMS3000/TMS4000

WIRING TERMINATION EXAMPLES SHOWN FOR REFERENCE  
(SEE NOTES)

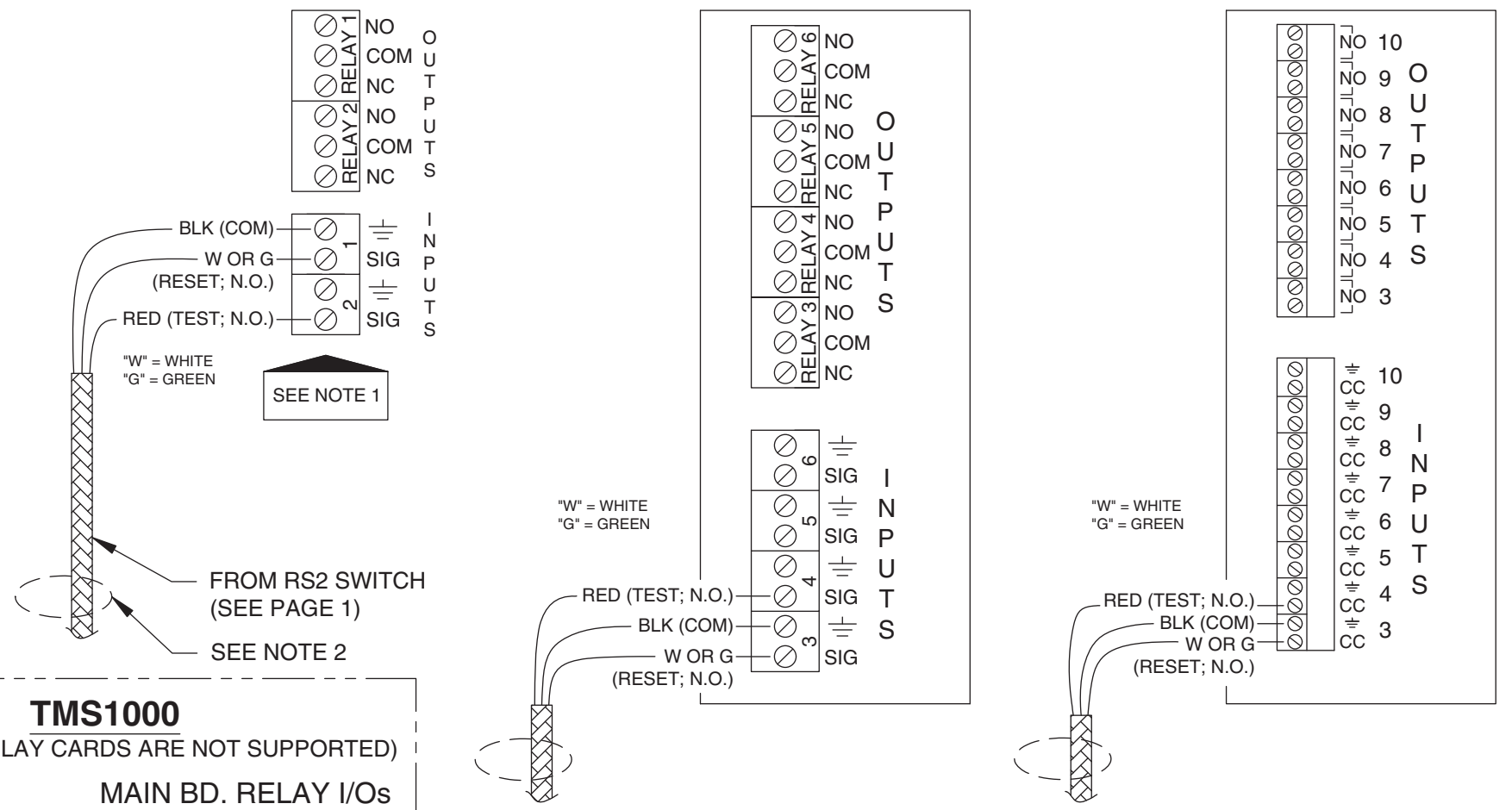
4X4 RELAY I/O CARD — OR — 8X8 RELAY I/O CARD



## LC2000/TMS2000/TMS4000M

WIRING TERMINATION EXAMPLES SHOWN FOR REFERENCE  
(SEE NOTES)

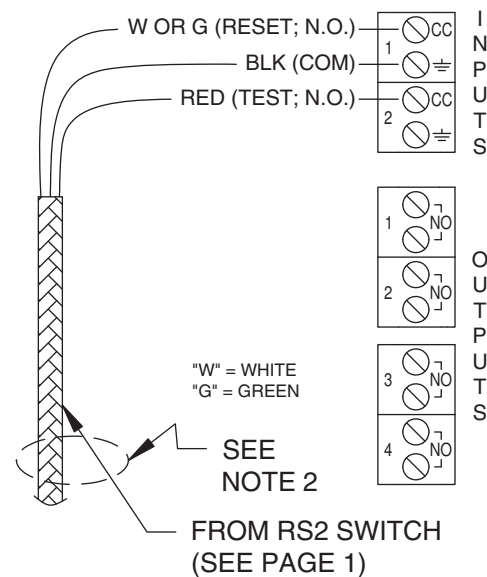
MAIN BD. RELAY I/Os — OR — \*4X4 (10A) RELAY I/O CARD — OR — \*8X8 RELAY I/O CARD



## TMS1000

(4X4 AND 8X8 RELAY CARDS ARE NOT SUPPORTED)

MAIN BD. RELAY I/Os



**NOTES:**

1. WIRING MAY BE TERMINATED ON ANY TMS RELAY INPUT/OUTPUT. HOWEVER, IF REQUESTED WITH ORDER, WIRING MUST BE TERMINATED ON THE SPECIFIED PRE-PROGRAMMED INPUTS/OUTPUTS (I/Os). REMINDER: PROGRAMMING STARTS WITH THE BUILT-IN MAIN BOARD RELAY I/Os FOR LC2000, TMS2000 AND TMS4000M. THE TMS4000M MAIN BOARD RELAY I/Os LAYOUT IS NOT SHOWN BUT IS THE SAME OR SIMILAR 2X2 I/Os AND TERMINAL BLOCK MARKINGS/NAMES AS SHOWN ABOVE.
2. LC2000/TMS1000/TMS2000 COMMS AND TMS3000/TMS4000 COMMS OR 2ND NON I.S. CONDUITS MUST BE USED FOR RS2 LOW VOLTAGE WIRING. IF DESIGNATED CONDUITS ARE UNAVAILABLE TO SEPARATE HIGH AND LOW VOLTAGE WIRING, USE THE PREFERRED RA200 REMOTE ALARM SYSTEM FOR LC2000/TMS SERIES PER DRAWING 50214. DO NOT MODIFY LC2000/TMS ENCLOSURE.

\* 4X4 (5A) RELAY I/O CARD (TMS4000M ONLY) SAME LAYOUT AS 8X8 CARD EXCEPT THE NUMBER OF INPUTS/OUTPUTS. THE TMS4000M DOES NOT SUPPORT 4X4 (10A) AND 8X8 RELAY I/O CARDS

	COND. COLOR	FUNCTION
3 COND. CABLE 	RED	TEST
	BLACK	SWITCH COMMON
	W OR G	RESET
2 COND. CABLE 	RED	HORN
	BLACK	

\*W\* = WHITE; \*G\* = GREEN

Questions? Contact Technical Support at (800) 209-7858