

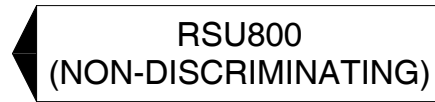
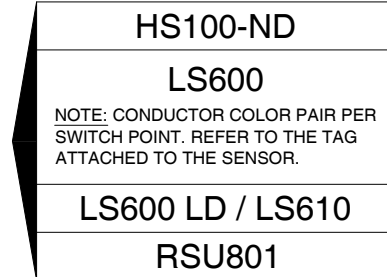
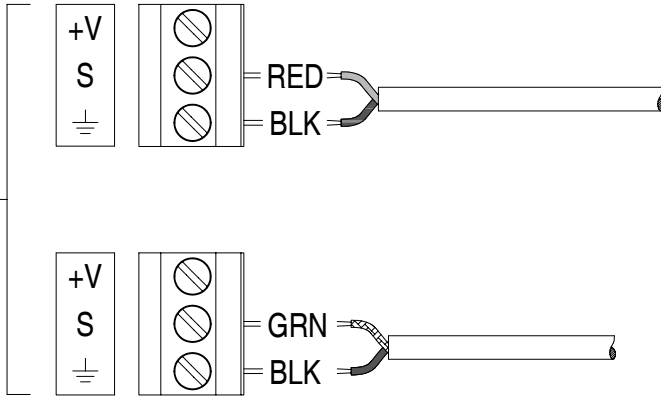
IMPORTANT! TMS2000 SENSOR WIRING INSTRUCTIONS

IDENTIFY THE TYPE OF SENSOR(S) TO BE INSTALLED. WIRING MUST BE TERMINATED ON THE TERMINALS INDICATED BELOW TO ENSURE CORRECT OPERATION.

2-WIRE SENSORS

NOTE: "S" = SIGNAL AND IS CONSECUTIVELY NUMBERED "S1" THROUGH "S8" ON THE TMS2000 CIRCUIT BOARD

W
I
R
I
N
G

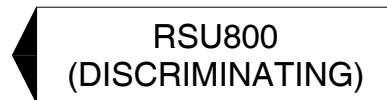
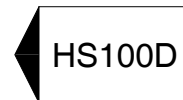
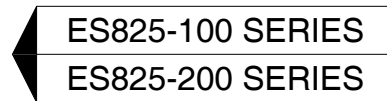
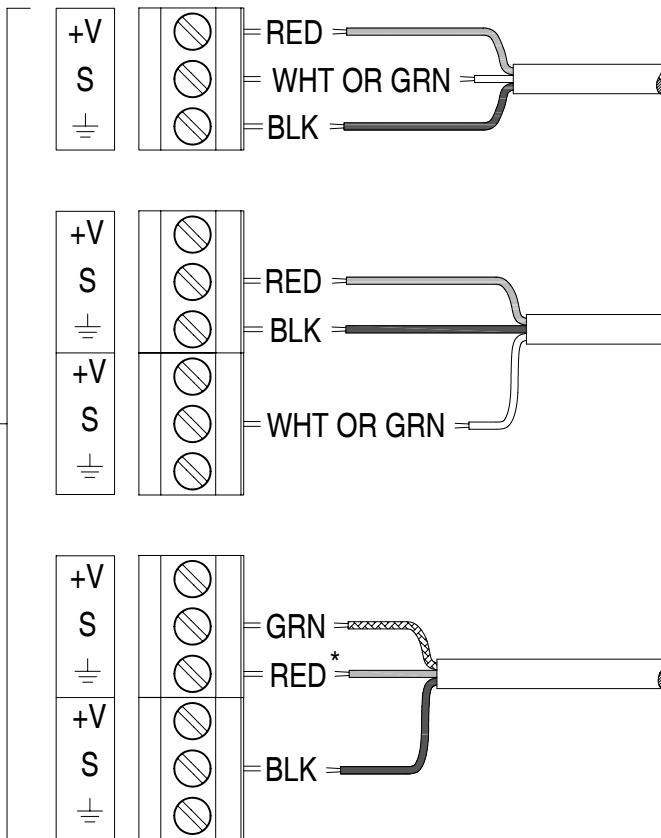


M
O
D
E
L

3-WIRE SENSORS

NOTE: "S" = SIGNAL AND IS CONSECUTIVELY NUMBERED "S1" THROUGH "S8" ON THE TMS2000 CIRCUIT BOARD

W
I
R
I
N
G



* RED IS COMMON GROUND WIRE

M
O
D
E
L

Questions? Contact Technical Support at (800) 209-7858

