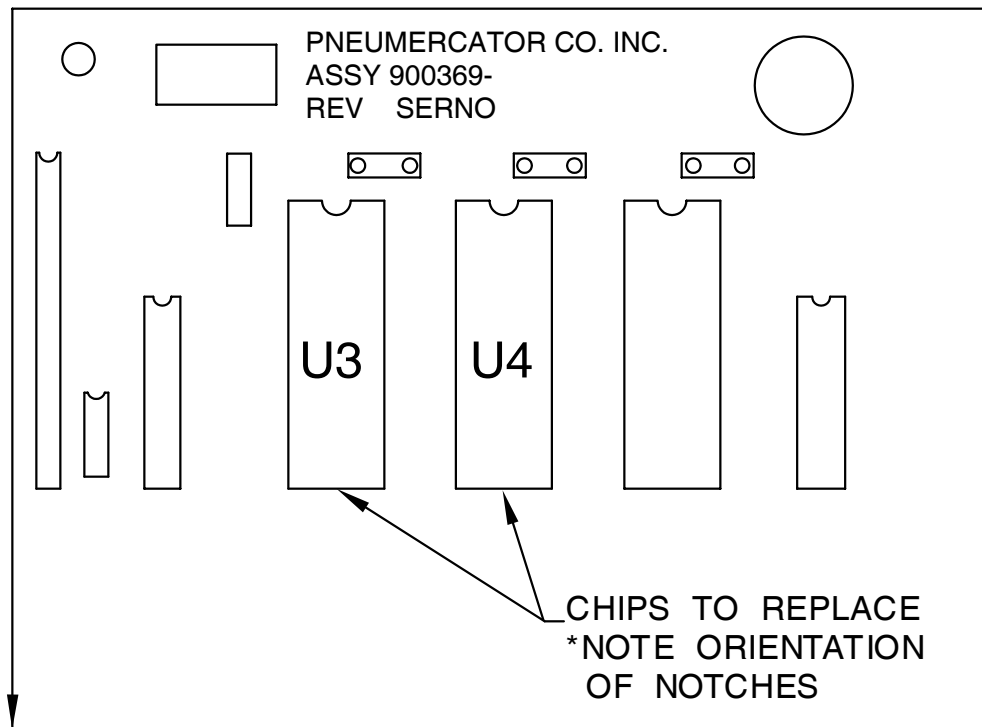


TOP OF BOARD



BOTTOM OF BOARD

- NOTES :
- 1) POWER MUST BE OFF FOR THIS PROCEDURE.
 - 2) NOTCHES ON CHIP MUST BE ORIENTED PROPERLY.
 - 3) A CHIP PULLER SHOULD BE USED.
 - 4) ANY DAMAGE TO THE UNIT FROM THIS PROCEDURE IS NOT THE RESPONSIBILITY OF PNEUMERCATOR CO.