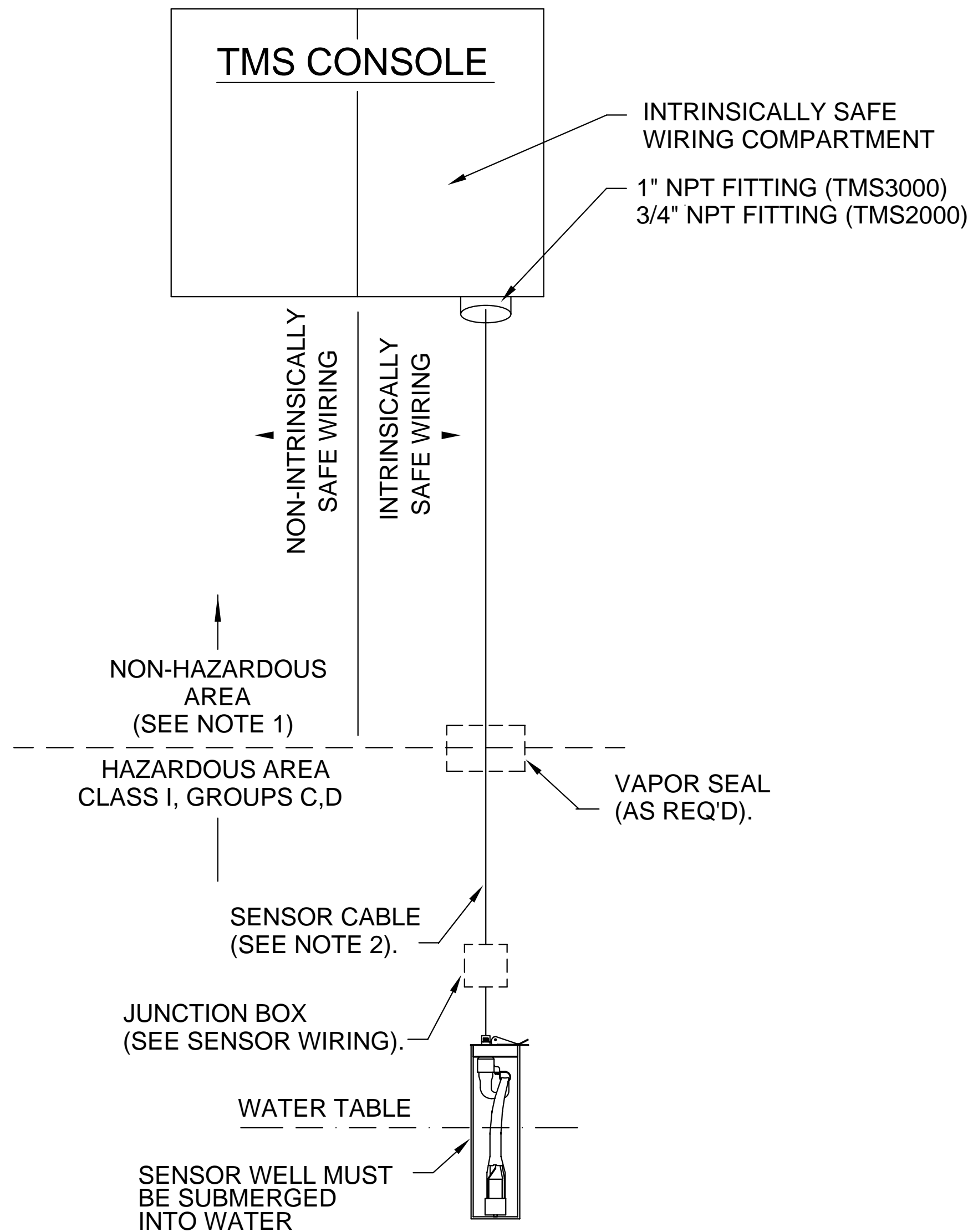


REVISIONS			
REV	DESCRIPTION	DATE	APPROVED



SENSOR INSTALLATION

IT IS RECOMMENDED THAT A SENSOR BE PERMANENTLY INSTALLED IN EACH WELL TO PROVIDE ACCURATE RESULTS AND THE MOST COMPLETE MONITORING OF THE SITE.

1. REMOVE ANY EXISTING CAP FROM 4" SCHEDULE 40 GROUNDWATER WELL.
2. LOWER SENSOR INTO WELL UNTIL SENSOR BOTTOMS.
3. ALLOW ANY EXCESS SENSOR LENGTH TO HANG LOOSELY IN A LOOP FROM THE RETAINER.
4. INSERT SENSOR CAP INTO PIPE (FIGURE 1).
5. PUSH LEVER DOWN (FIGURE 2).
6. PADLOCK IF NECESSARY (FIGURE 3). *LOCK NOT SUPPLIED.*

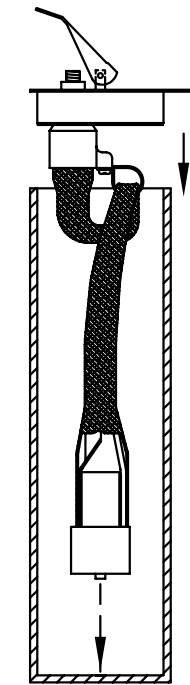


FIGURE 1

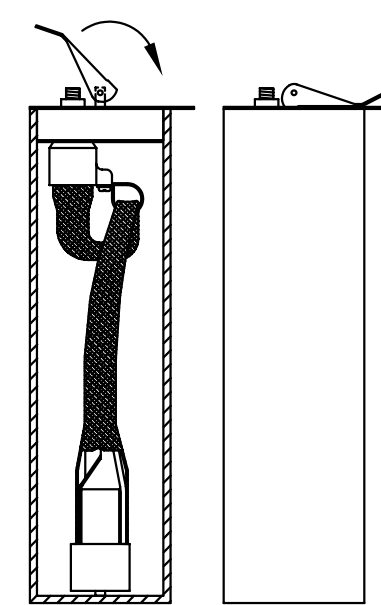


FIGURE 2

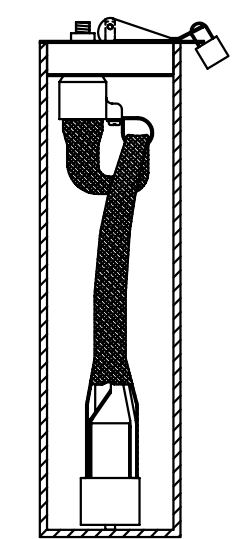


FIGURE 3

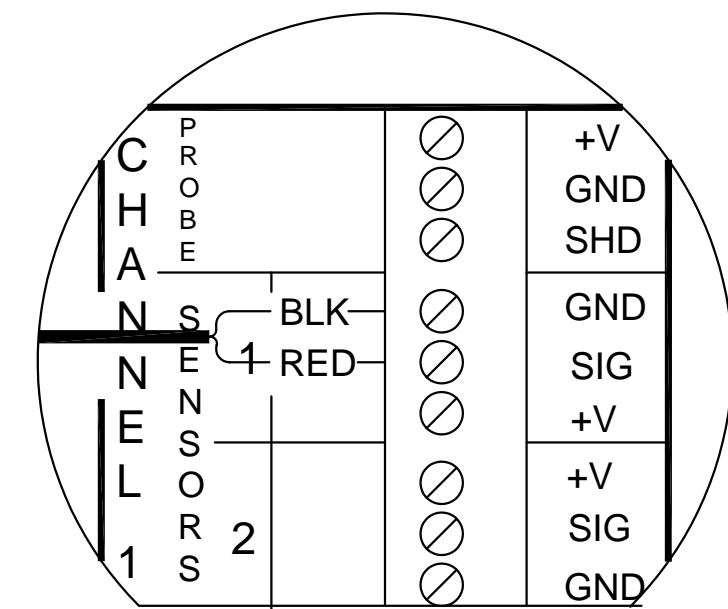
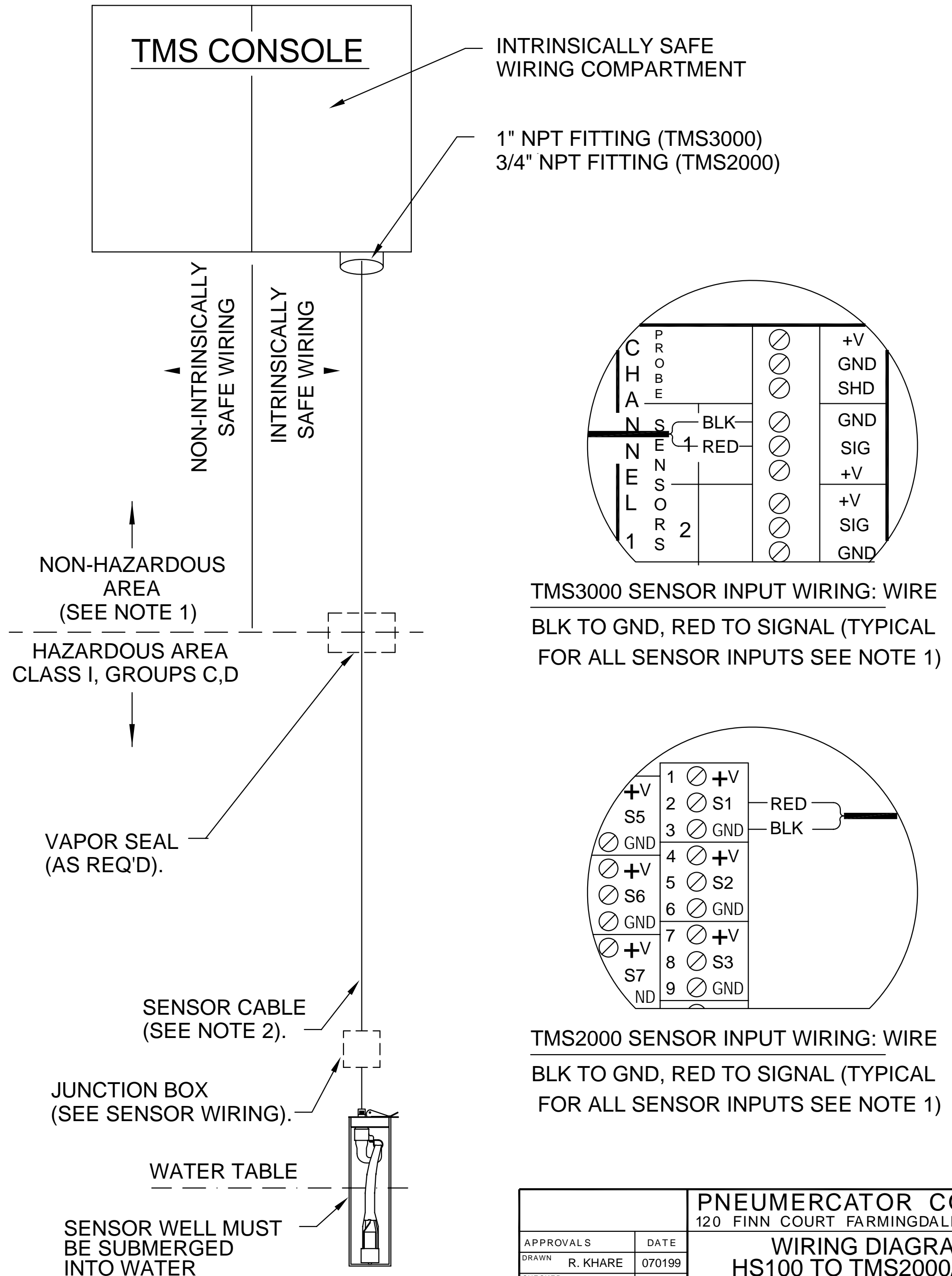
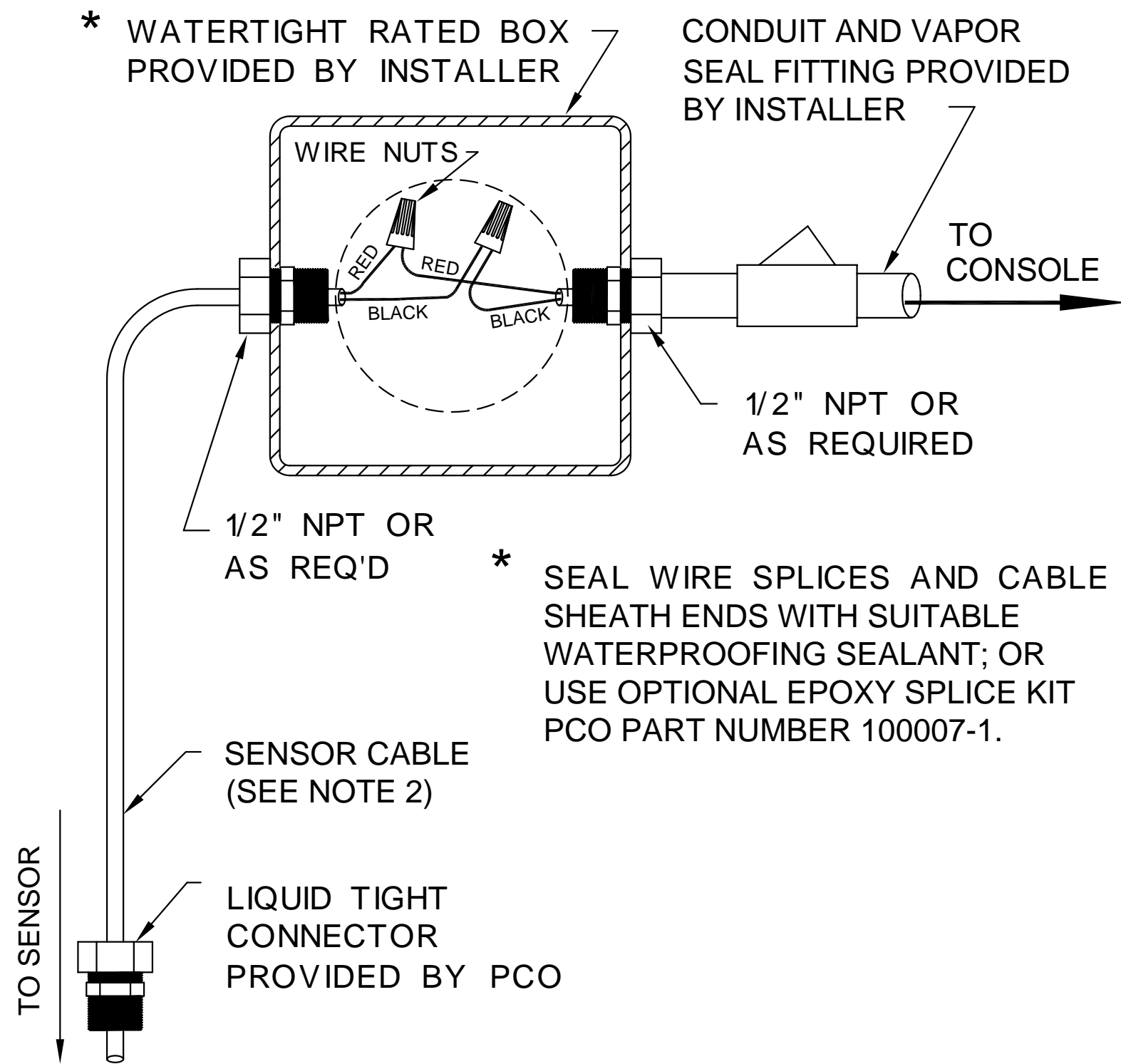
NOTES:

1. INTRINSICALLY SAFE INPUT WIRING: WIRE AND INSTALL IN ACCORDANCE WITH ARTICLE 504 OF NATIONAL ELECTRIC CODE ANSI/NFPA 70. NON-INTRINSICALLY SAFE WIRING CAN NOT BE RUN IN CONDUIT OR OPEN RACEWAYS TOGETHER WITH INTRINSICALLY SAFE WIRING.
2. CABLE SELECTION:
USE BELDEN 8442 OR ALPHA 1172C.
3. PROGRAM AS A NORMALLY CLOSED SENSOR. (SEE SHEET 2)

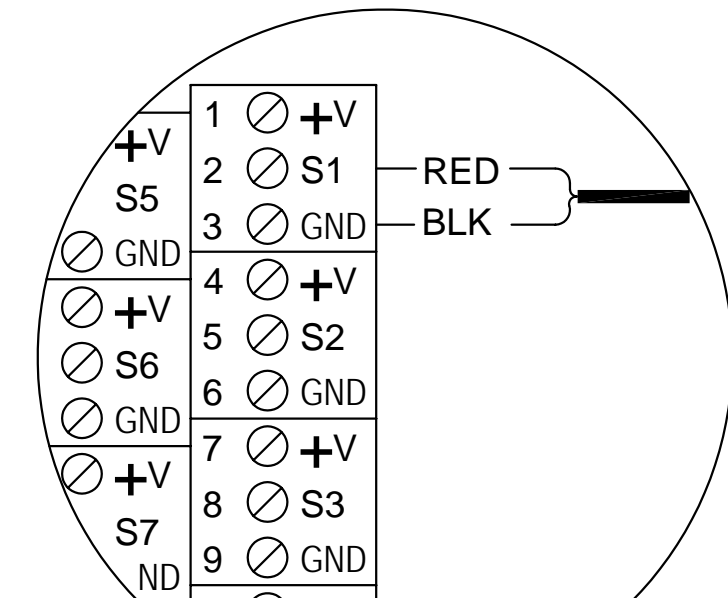
APPROVALS		DATE	PNEUMERCATOR COMPANY 120 FINN COURT FARMINGDALE, N.Y. 11735		
DRAWN	R. KHARE	070199	WIRING DIAGRAM, HS100 TO TMS2000/3000		
CHECKED			SIZE	CAGE CODE	DWG. NO.
ISSUED			C	47876	50308
DO NOT SCALE DRAWING		SCALE	1/1		SHEET 1 OF 2

REVISIONS			
REV	DESCRIPTION	DATE	APPROVED

TYPICAL WIRING FOR SENSOR

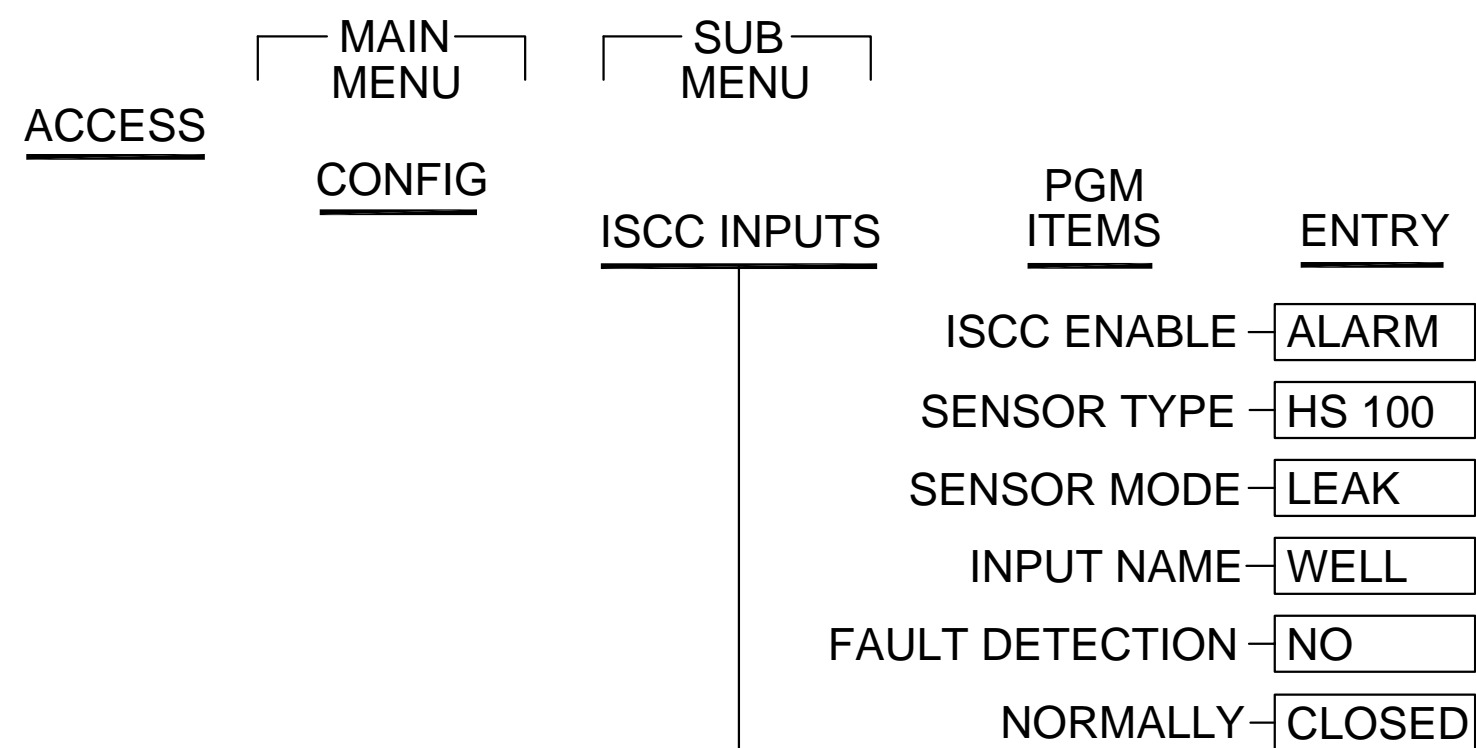


TMS3000 SENSOR INPUT WIRING: WIRE BLK TO GND, RED TO SIGNAL (TYPICAL FOR ALL SENSOR INPUTS SEE NOTE 1)



TMS2000 SENSOR INPUT WIRING: WIRE BLK TO GND, RED TO SIGNAL (TYPICAL FOR ALL SENSOR INPUTS SEE NOTE 1)

PROGRAMMING FOR HS 100 SENSORS



APPROVALS		DATE	PNEUMERCATOR COMPANY 120 FINN COURT FARMINGDALE, N.Y. 11735		
DRAWN	R. KHARE	070199	WIRING DIAGRAM, HS100 TO TMS2000/3000		
CHECKED			SIZE	CAGE CODE	DWG. NO.
ISSUED			C	47876	50308
DO NOT SCALE DRAWING		SCALE 1/1	REV.		-
				SHEET 2 OF 2	