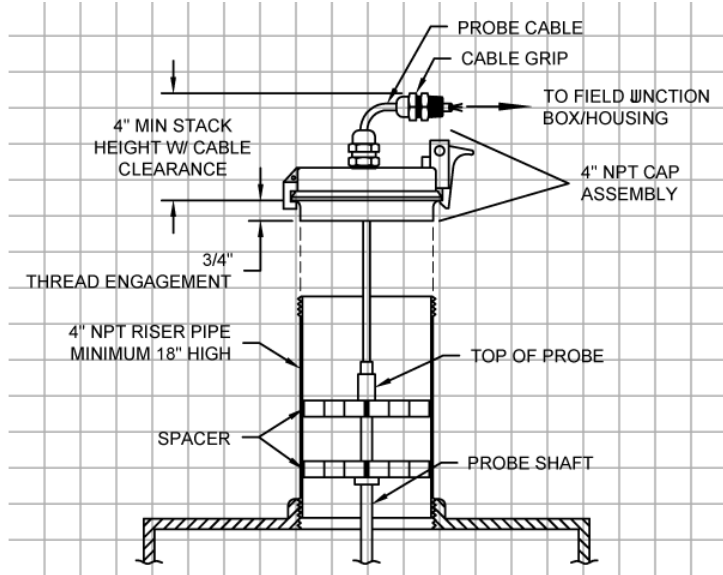
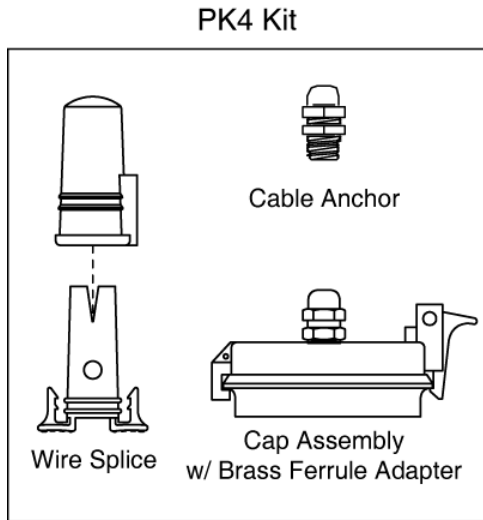


# 4" Riser Mounting Kit with Quick-Release Cap for MP45xS/MP55xS Magnetostrictive Tank Gauging Probes



## Product Description

The PK4 Riser Mount Probe Kit provides a “soft-mount” method of installation by allowing the probe to rest on the tank bottom and be stabilized within the tank riser without attachment. This method may be used for MP45xS/MP55xS series probe lengths up to 15 feet, providing easy installation and servicing by simply removing quick-release cap and lowering or raising probe by its cable. The cap accepts a padlock to prevent unauthorized access. The standard kit includes a 4” cap assembly with integral cable compression fitting, brass ferrule quick-release adapter, cable compression fitting for field junction box and wire splice kit. **IMPORTANT:** Use PK2-DM Direct Mount Kit for probe lengths exceeding 15 feet. The riser mount should **not** be used in chemical or high heat applications without consulting factory.

## Applications

- Underground Storage Tanks
- Vertical Storage Tanks up to 15 Feet

## Specifications

- Materials: Cap: Aluminum  
Ferrule: Brass w/Buna-N gasket  
Cable Compression Fitting: Nylon Body w/TPE Compression Rings
- Mount: 4” NPT riser pipe, minimum 18” height.
- Operating Pressure: less than 1 PSIG

## Model Numbers

- PK4 Aluminum Cap, Brass Ferrule Adapter, Nylon Cable Compression Fitting, Wire Splice Kit

Note: Specifications subject to change without notice. 07-06-2009