

Hydrostatic Gauge

P-14 Hand Pump Type

PNEUMERCATOR
Liquid Level Control Systems

120 Finn Court, Farmingdale, NY. 11735
(631)293-8450 Fax (631)293-8533 www.pneumercator.com

This hydrostatic gauge is based on an adaptation of the hydrostatic principle, air pressure is required to obtain liquid level indication. This is provided by a built-in hand pump.

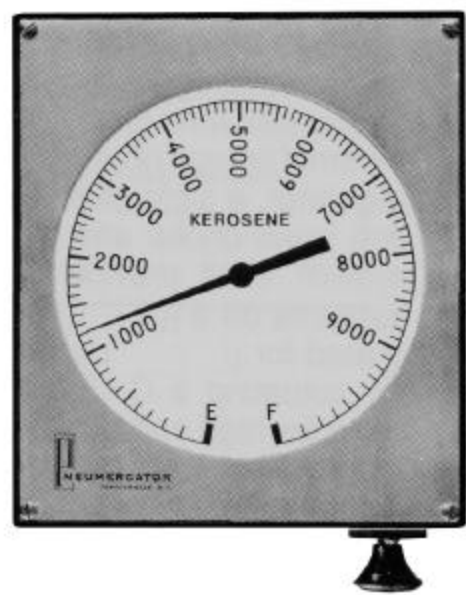
Installation is readily accomplished in either empty tanks or partially filled tanks. A 2" tank opening is required through which the air bell assembly (supplied by Pneumercator) is installed. Once the system has been properly installed, maintenance is practically non-existent. All that is required is an occasional check of the zero position which takes less than a minute.

The hydrostatic gauging system described should be used only on tanks vented to the atmosphere.

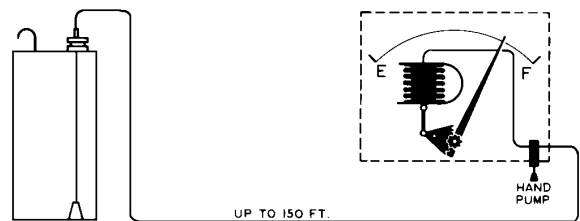
Pneumercator hydrostatic tank gauging systems operate on the principle that the pressure at the bottom of the tank varies with the liquid head. The pressure balance which is equal to the tank liquid height is converted into tank contents and indicated on a calibrated dial. These gages are designed to measure liquids having a constant specific gravity in vented tanks. The simple bubble pipe arrangement in the tank is ideal for vertical tanks and those having internal obstructions.

The P-14 has a scale length of 14-1/2" and has a hand pump built into the gage case. A few strokes of the pump supplies the air for purging the tube in the tank to obtain the "pressure balance". The hand pump gauges can operate a distance up to 150 feet from the tank.

This gauging system is listed by Underwriters Laboratories Inc., N.Y.C., Board of Standards and Appeals.

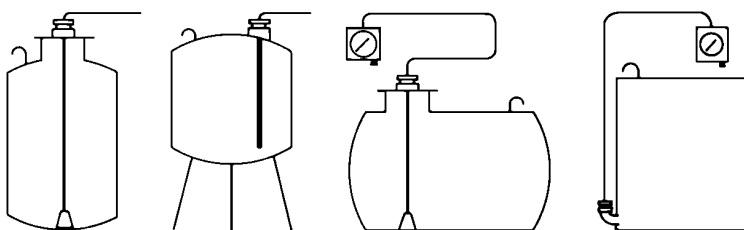
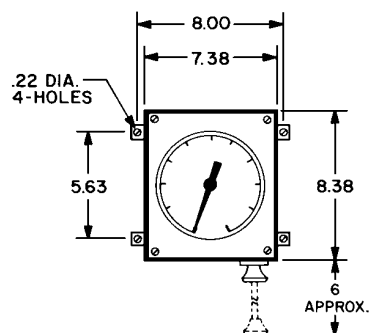


PRINCIPLE OF OPERATION



Air is introduced in the line between the indicator and the tank by means of the built in hand pump. When the pressure in this line equals the pressure at the bottom of the bubble pipe (created by the head of liquid in the tank), the bellows in the indicator mechanism expands -or contracts- and thru suitable linkage moves the pointer over the face of the dial. Excess pressure bubbles out of the bottom of the bubble pipe.

INDICATOR DETAIL



MEMBER
PEI
EQUIPMENT INC.